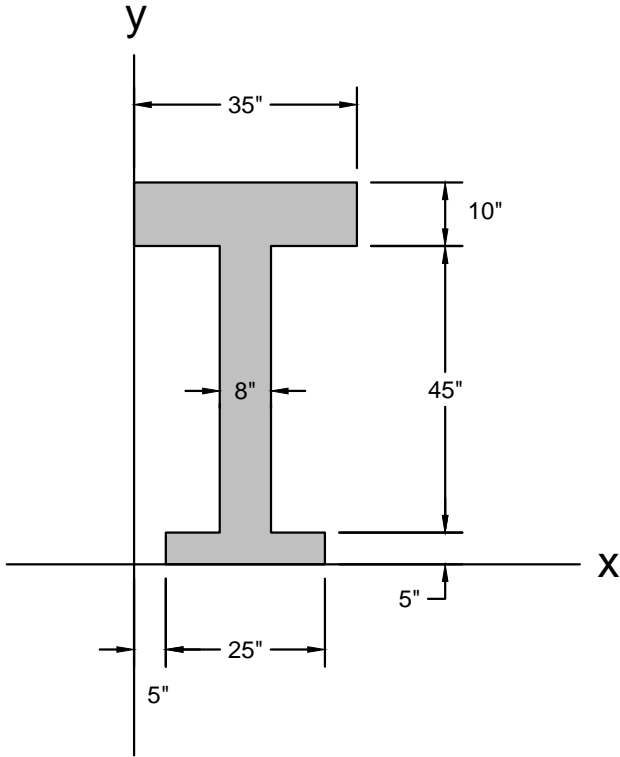


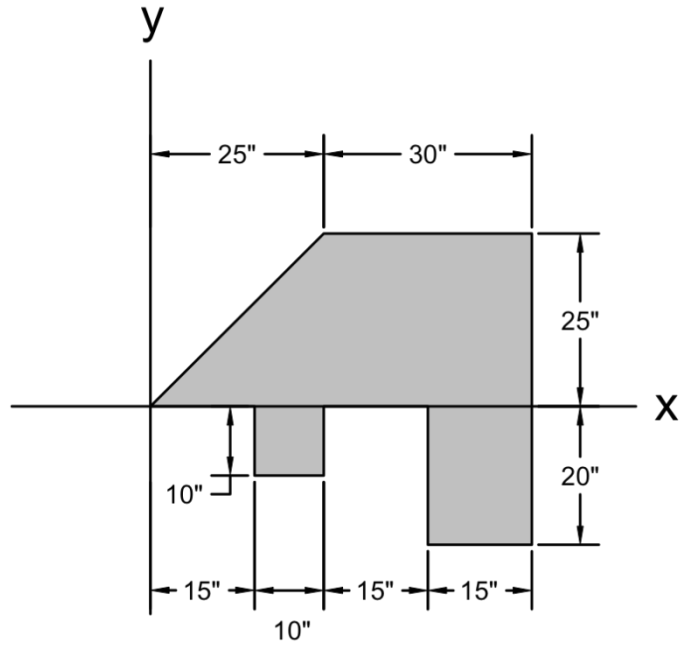
12A. Centroids of composite bodies and distributed loads

1. Locate the centroid (\bar{x}, \bar{y}) of each area shown below.

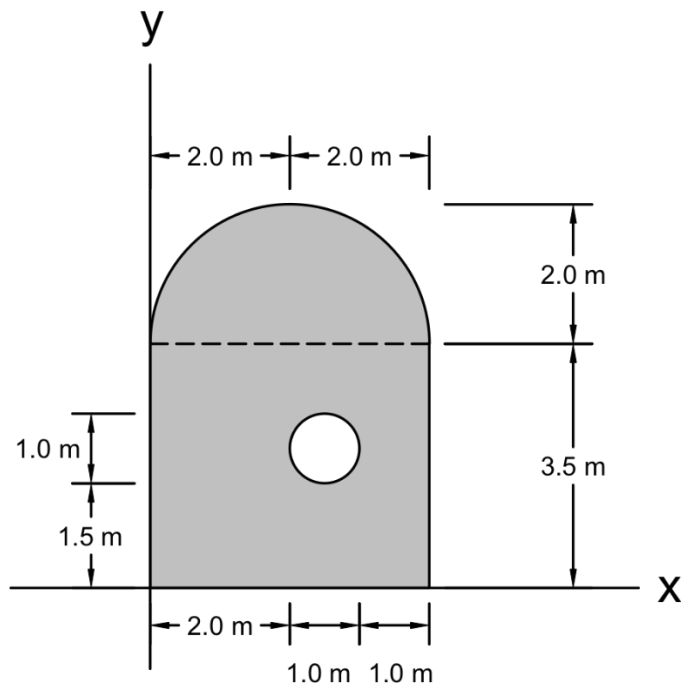
a.



b.

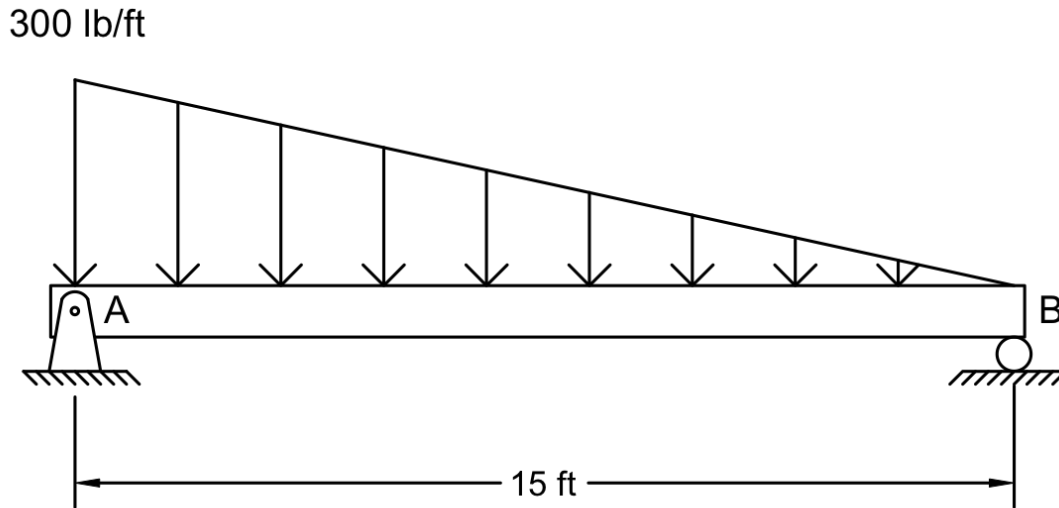


c.



12A. Centroids of composite bodies and distributed loads

2. Determine the magnitude and location of the resultant force, measured from Point A.



3. Determine the magnitude and location of the resultant force, measured from Point B.

