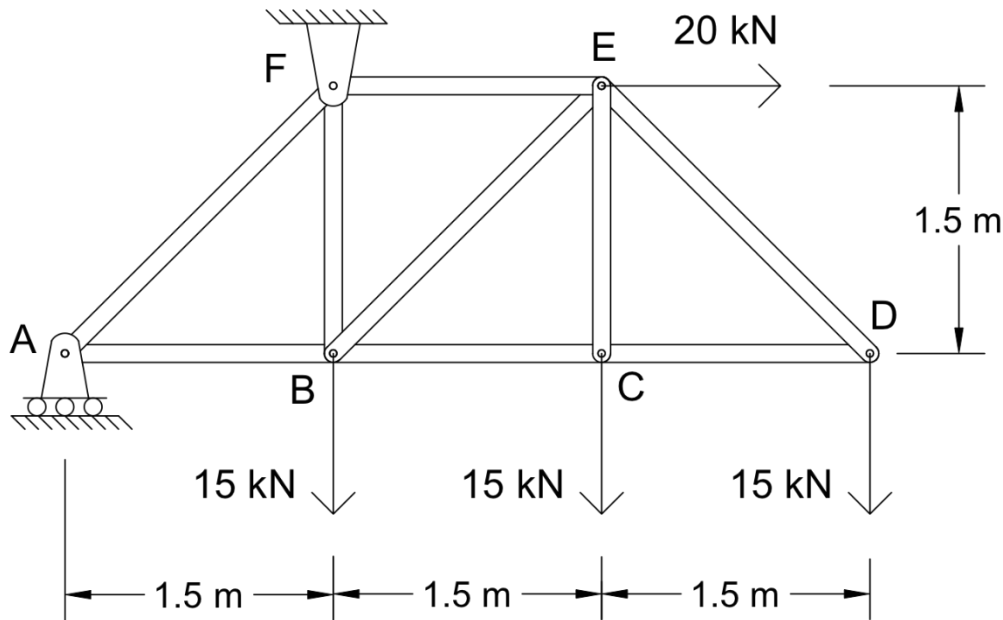
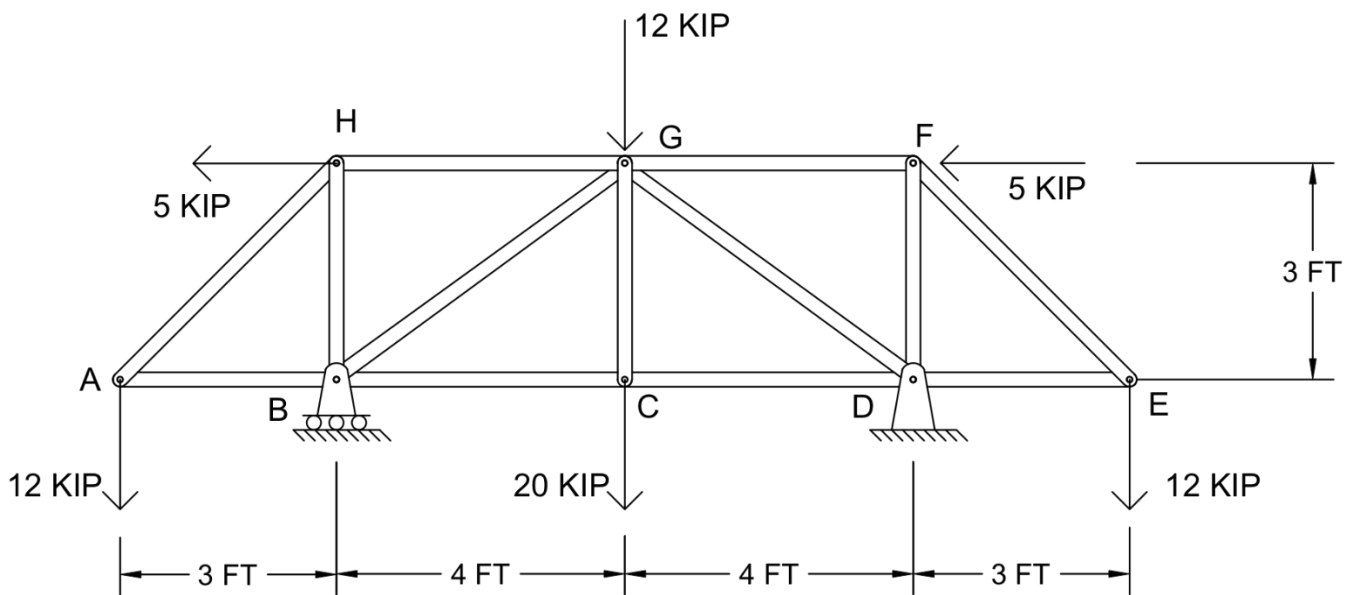


- Using the method of sections, determine the force in members AB, BF, and EF of the truss shown. Indicate whether the members are in tension or compression.



- Using the method of sections, determine the force in members CD, BF, and EF of the truss shown. Indicate whether the members are in tension or compression.



3. Using the method of sections, determine the force in members GF, DG, and CG of the truss shown. Indicate whether the members are in tension or compression.

