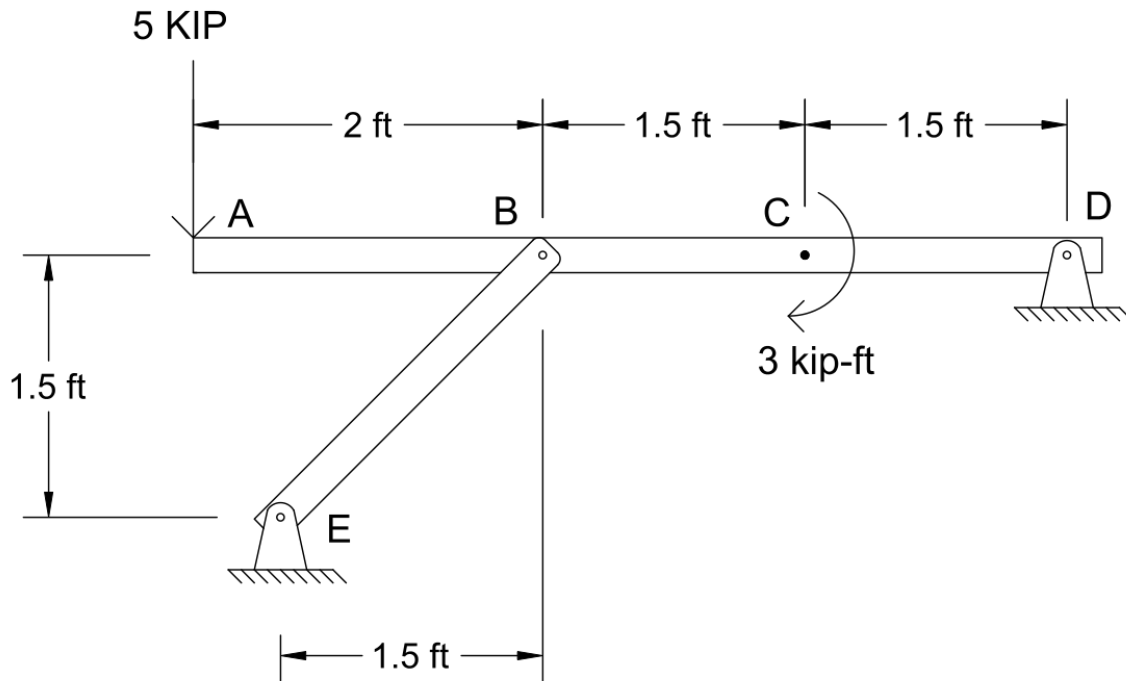
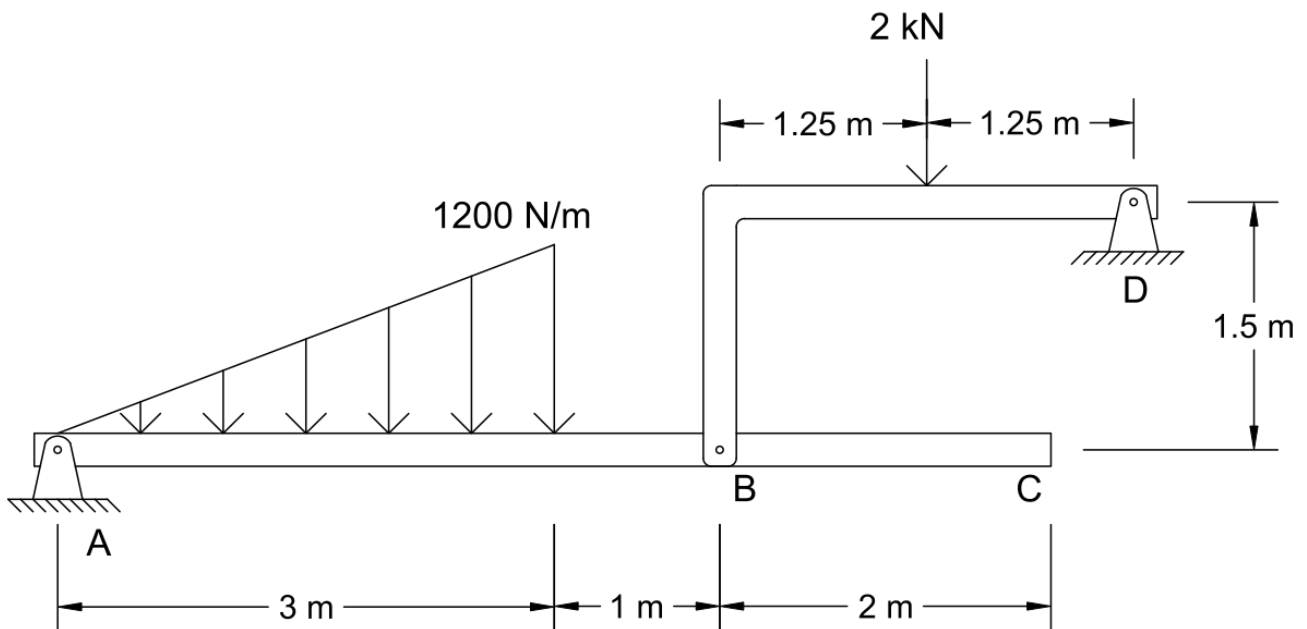


1. Refer to the figure below. Draw a FBD of the entire frame, a FBD of member AD, and a FBD of member BE. Identify any two-force members. Determine the support reactions at D and E.



2. Refer to the figure below. Draw a FBD of the entire frame, a FBD of member AC, and a FBD of member BD. Identify any two-force members. Determine the support reactions at A and D.



3. Refer to the figure below. Determine the support reactions at A and B.

