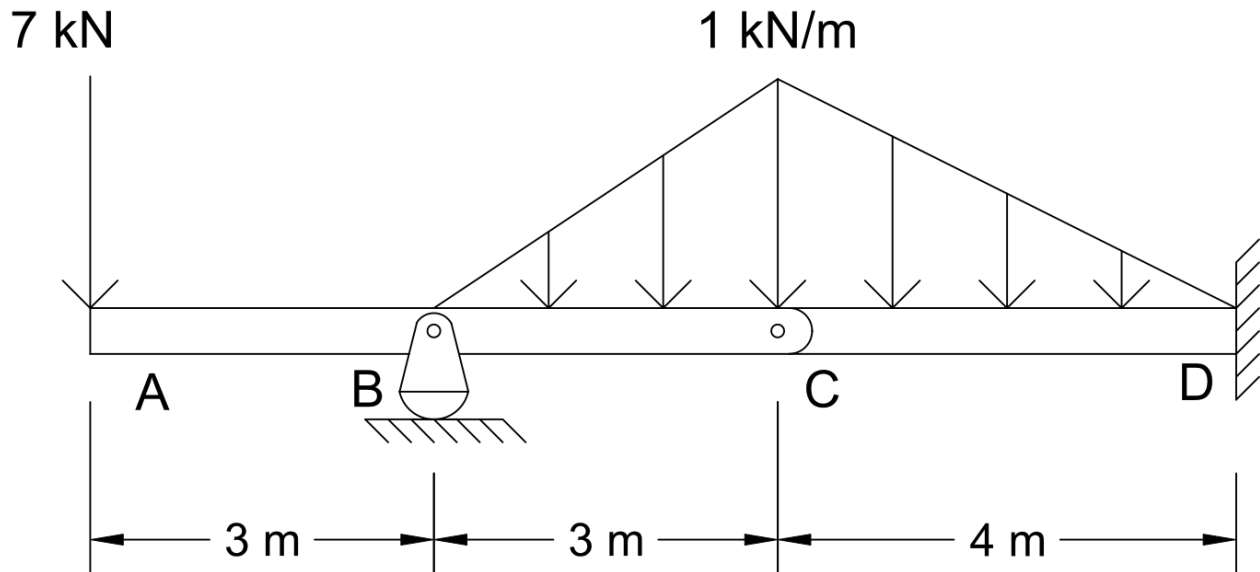
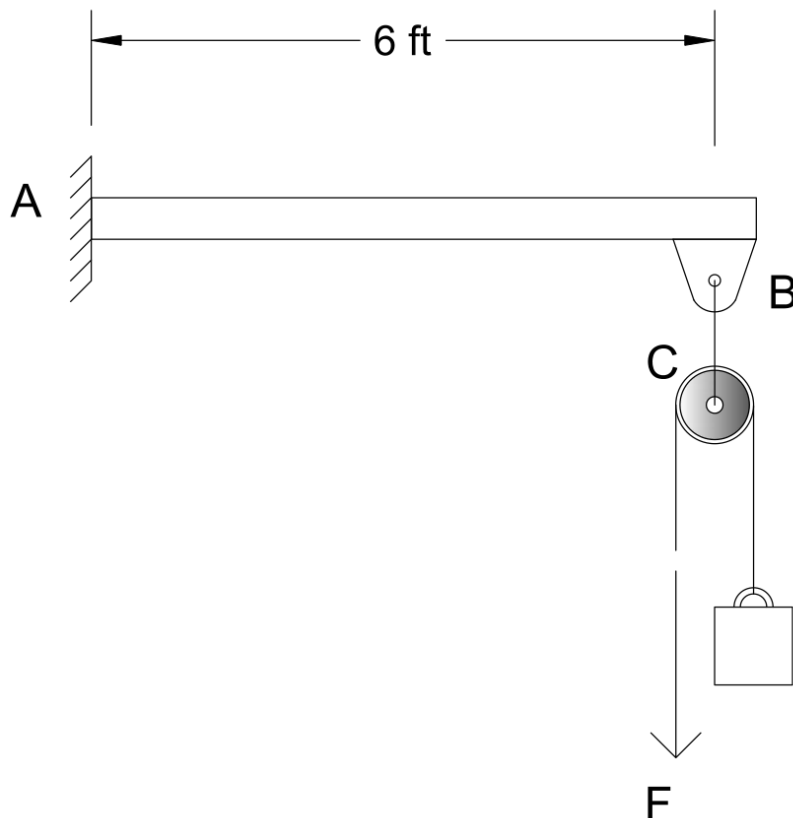


1. The beam is made of members AC and CD connected by a pin at C. The beam is supported by a rocker at B and is fixed at D. Determine the support reactions at B and D.



2. A pulley is connected to a beam to lift a box that weighs 50 lb. Draw a FBD of the pulley at C and of the beam AB. Determine the force F and the force in cable BC. Determine the support reactions at A.



3. A system of pulleys is connected to a frame to lift a box with a mass of 60 kg. Determine the force F and determine the support reactions at A and B.

