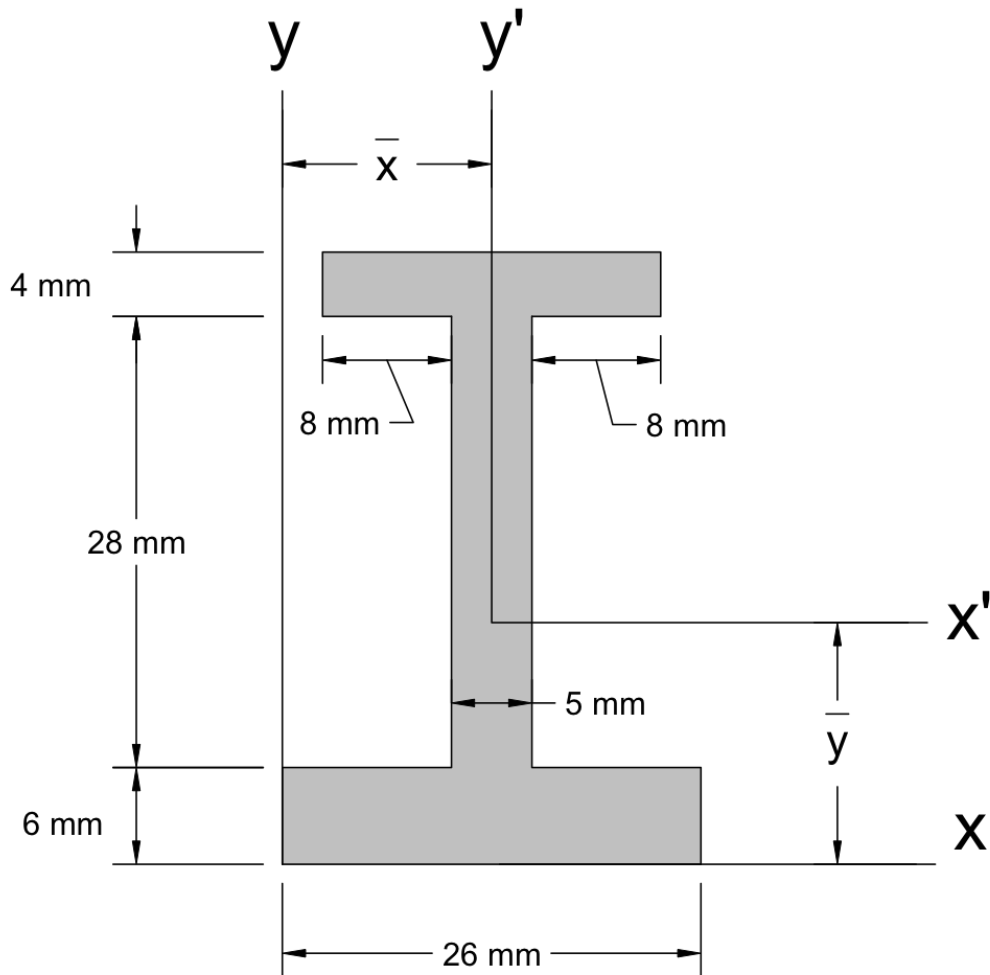
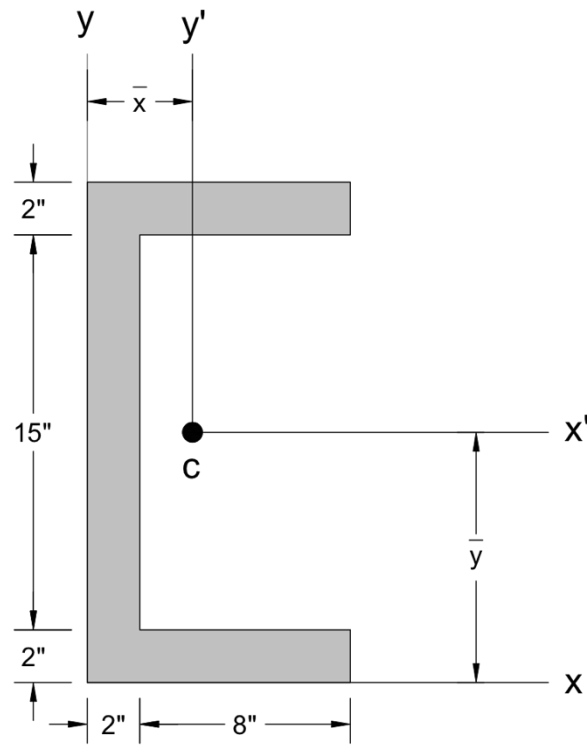


1. Refer to the figures below. For each figure,
 - a. Find the location of the centroid c with respect to the origin (i.e., find \bar{x} and \bar{y})
 - b. Determine the moment of inertia for the shaded area about the x' -axis
 - c. Determine the moment of inertia for the shaded area about the y' -axis

i.



ii.



iii.

