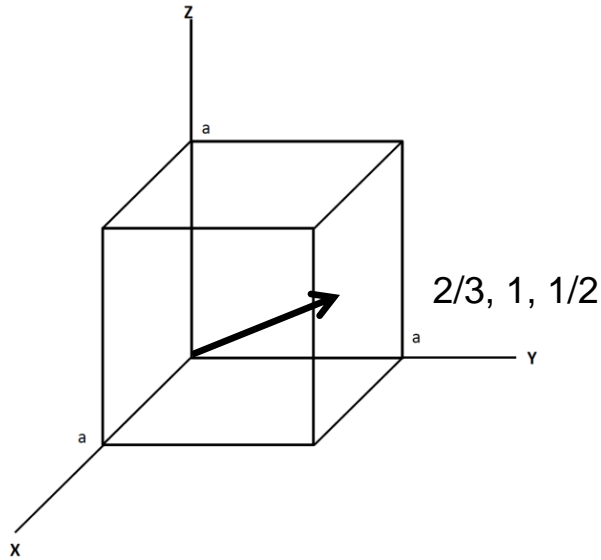
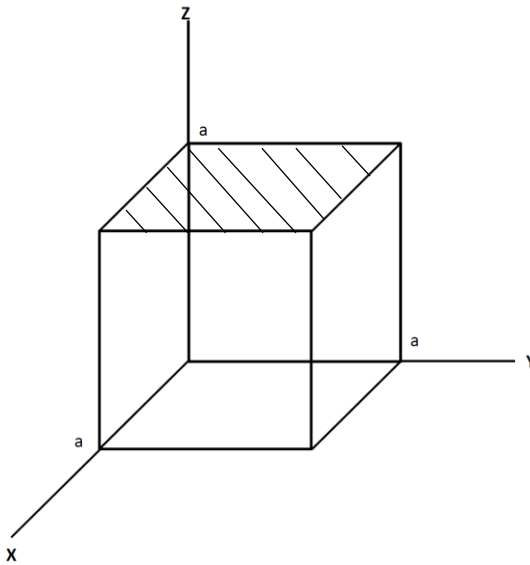


1. a. Using proper notation, clearly label the direction drawn on the cubic unit cell shown below.



- b. Using proper notation, clearly identify the plane on the cubic unit cell shown. **Add to the cube another member of the same family of planes.** Write the notation for the family of planes



- c. Clearly identify the plane drawn on the cubic unit cell shown? (hint: $a = 1$)?

